

TOP VIEW

CAUTION:

Electrical and plumbing connections must be made by a qualified Service Person who will comply with all available federal, state, and local Health, Electrical, Plumbing, and Safety codes.

*Manufacturer reserves the right to modify these specifications in compliance with regulatory agencies and manufacturing expediency.

NOTE:

All dimensions listed have a tolerance of + or - 1/8" unless otherwise noted.

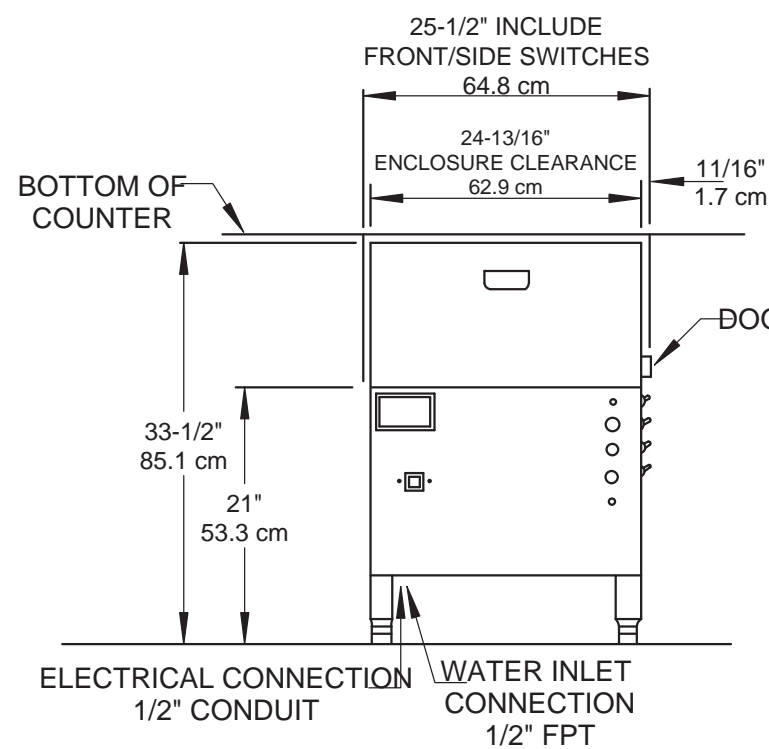


American Dish Service

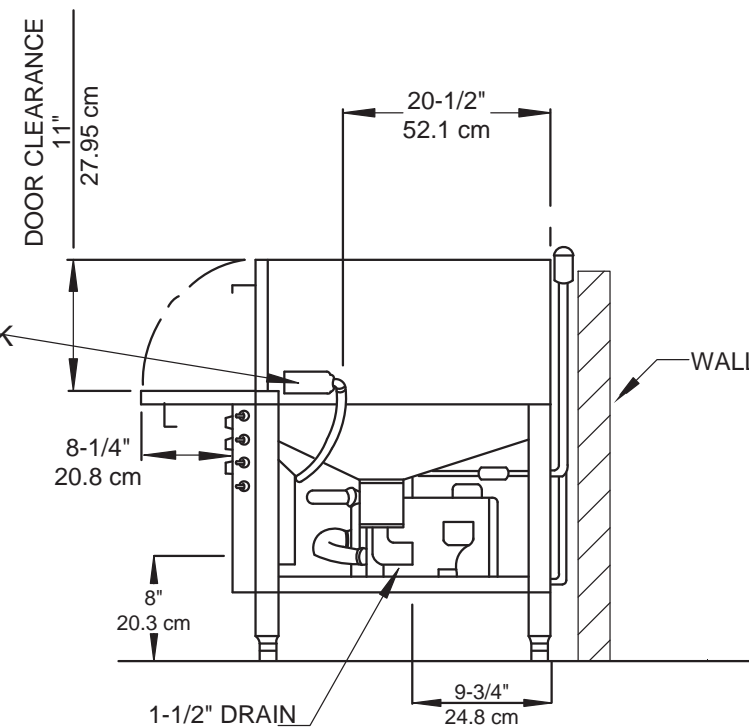
Manufacturers of Ware Washing Equipment

WWW.AMERICANDISH.COM

ET SERIES SPECIFICATIONS



FRONT VIEW



SIDE VIEW

| | FAMILY MODELS | | |
|---|--|------|-------|
| | ET-AF | ET-A | ET-AH |
| NSF RATED CAPACITY (Racks/Hr.) | 30 | 24 | 20 |
| WASH TIME (Sec.) | 45 | 60 | 75 |
| RINSE TIME (Sec.) | 30 | 45 | 60 |
| DWELL (Sec.) | 15 | 15 | 15 |
| TOTAL CYCLE TIME (Sec.) | 90 | 120 | 150 |
| WATER TEMPERATURE-SUPPLY WATER | (NSF) 120 F Min. 49 C Min. | | |
| WATER CONSUMPTION (NSF RATED) | 1.7 Gal's Per Cycle 6.4 Lit's Per Cycle | | |
| MOTOR RATING (PUMP) | 1.5 HP | | |
| ELECTRICAL RATINGS (NEC) | 115 Vac, 20amp brkr, 50/60Hz, 1Phase | | |
| Connect to Supply Source using 10-12 AWG copper wires using non-time delay fuse of 20 amp rating or 20 amp circuit breaker. | | | |
| RACK SIZE | 19.75" x 19.75" 50.2 cm x 50.2 cm | | |
| DOOR CLEARANCE | "M" Series: 11" x 22.25"(27.9cm x 56.5cm) "3" Series: 14" x 22.25"(35.8cm x 57cm) | | |
| WATER INLET | 1/2" FPT | | |
| DRAIN SIZE | 1 1/2" FPT | | |
| HEIGHT OF STANDARD ET | Min 33.5"-Max 34.5" 85.1 to 87.6 cm | | |
| HEIGHT OF ET-AF-3 | Min 36.5"-Max 37.5" 92.7 to 95.2 cm | | |
| WIDTH (Overall) | 25.5" 64.8 cm | | |
| DEPTH (Overall) | 29" 73.6 cm | | |
| SHIPPING WEIGHT | "M" Series: 250 Pounds (113.4 kg) "3" Series: 258 Pounds (117.0 kg) | | |
| SHIPPING DIMENSIONS | "M" Series: 36"L x 36"W x 41"H "3" Series: 36"L x 36"W x 44"H | | |