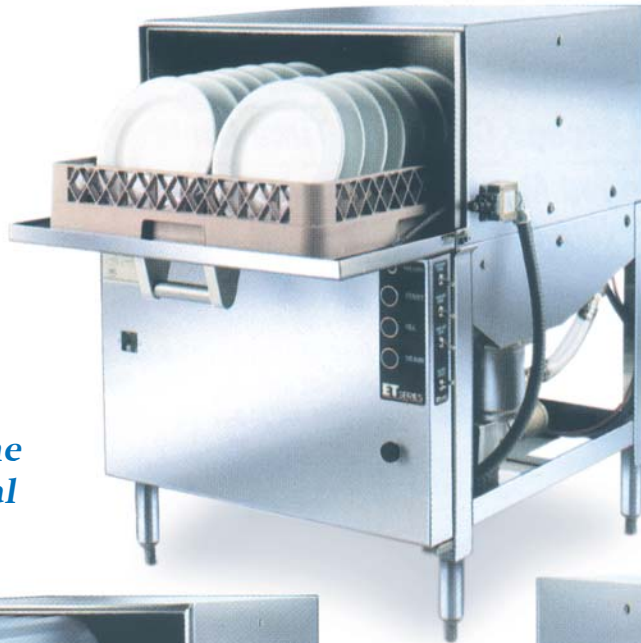


ET Series by

MULTI-USE UNDERCOUNTER DISHWASHERS



*Perfect for Restaurants,
Delicatessens & Fast
Food Operations*

*An Industrial
Design Machine
for Commercial
Application*

*FINALLY, an undercounter
that offers kitchenware results,
in a glass washing machine*



Process over 200 trays per hour.
Great for small bed nursing
homes and day care facilities

**When space demands a small dishmachine, don't sacrifice quality or results.
*Ask for one of the ET-AF UNDERCOUNTERS.***

At American Dish Service, Quality People,
Designs, and Products have been the foundations
of our organization for over 45 years.

www.americandish.com


American Dish Service
Manufacturers of Ware Washing Equipment

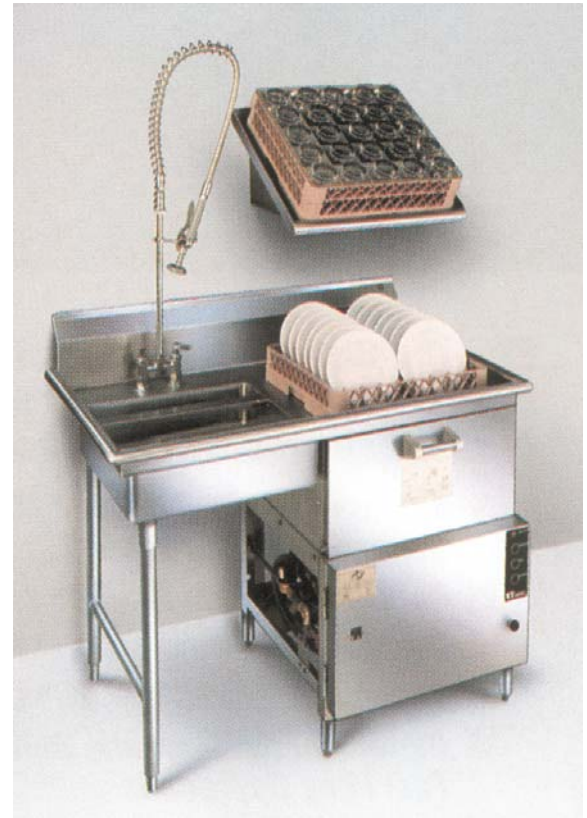
900 Blake Street Edwardsville, KS 66111-3820 **Toll Free** (800) 922-2178 **Phone** (913) 422-3700 **Fax** (913) 422-6630

ET Series

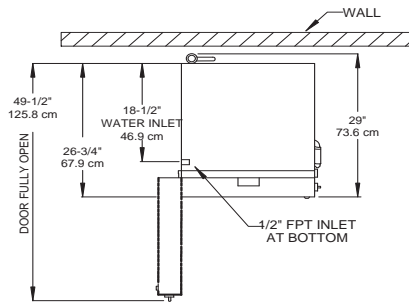
MULTI-USE UNDERCOUNTER DISHWASHERS

ET... The Dishmachine of choice, when space is a concern. You will **NEVER AGAIN** have to sacrifice production or results.

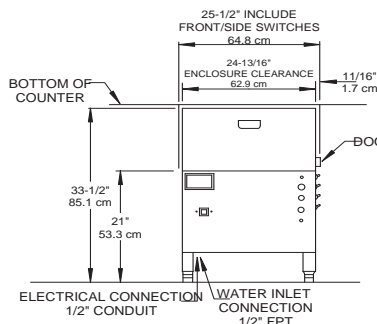
- 1 1/2 HP Wash and Rinse Pump
- Prime Switches
- Automatic Chemical Feed
- 90 Second Complete Time Cycle
- Hinged Mounted Panel for Easy Service Access



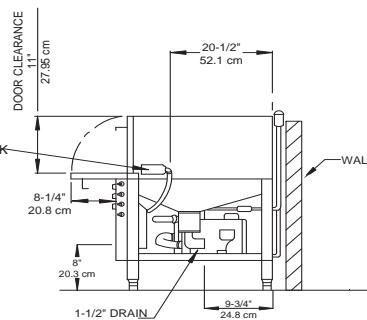
Operate a free standing complete warewashing center in only 48" of space. To do this, combine our ET-AF Undercounter with our stainless steel table package.



TOP VIEW



FRONT VIEW



SIDE VIEW

CAUTION:
Electrical and plumbing connections must be made by a qualified Service Person who will comply with all available federal, state, and local Health, Electrical, Plumbing, and Safety codes.

*Manufacturer reserves the right to modify these specifications in compliance with regulatory agencies and manufacturing expediency.

NOTE:
All dimensions listed have a tolerance of + or - 1/8" unless otherwise noted.



American Dish Service
Manufacturers of Ware Washing Equipment
WWW.AMERICANDISH.COM

ET SERIES SPECIFICATIONS

	FAMILY MODELS
	ET-AF ET-A ET-AH
NSF RATED CAPACITY (Racks/Hr.)	30 24 20
WASH TIME (Sec.)	45 60 75
RINSE TIME (Sec.)	30 45 60
DWELL (Sec.)	15 15 15
TOTAL CYCLE TIME (Sec.)	90 120 150
WATER TEMPERATURE-SUPPLY WATER	(NSF) 120 F Min. 49 C Min.
WATER CONSUMPTION (NSF RATED)	1.7 Gal's Per Cycle 6.4 Lit's Per Cycle
MOTOR RATING (PUMP)	1.5 HP
ELECTRICAL RATINGS (NEC)	115 Vac, 20amp brkr, 50/60Hz, 1Phase
Connect to Supply Source using 10-12 AWG copper wires using non-time delay fuse of 20 amp rating or 20 amp circuit breaker.	
RACK SIZE	19.75" x 19.75" 50.2 cm x 50.2 cm
DOOR CLEARANCE	"M" Series: 11" x 22.25"(27.9cm x 56.5cm) "3" Series: 14" x 22.25"(35.5cm x 57cm)
WATER INLET	1/2" FPT
DRAIN SIZE	1 1/2" FPT
HEIGHT OF STANDARD ET	Min 33.5"-Max 34.5" 85.1 to 87.6 cm
HEIGHT OF ET-AF-3	Min 36.5"-Max 37.5" 92.7 to 95.2 cm
WIDTH (Overall)	25.5"
DEPTH (Overall)	64.8 cm 29"
SHIPPING WEIGHT	"M" Series: 250 Pounds (113.4 kg) "3" Series: 258 Pounds (117.0 kg)
SHIPPING DIMENSIONS	"M" Series: 36"L x 36"W x 41"H "3" Series: 36"L x 36"W x 44"H

Effective: 4/16

Copyright 4/16

WARNING: Cancer and Reproductive Harm - www.P65Warnings.ca.gov

900 Blake Street Edwardsville, KS 66111-3820 (800) 922-2178 (913) 422-3700 (913) 422-6630

Toll Free

Phone

Fax