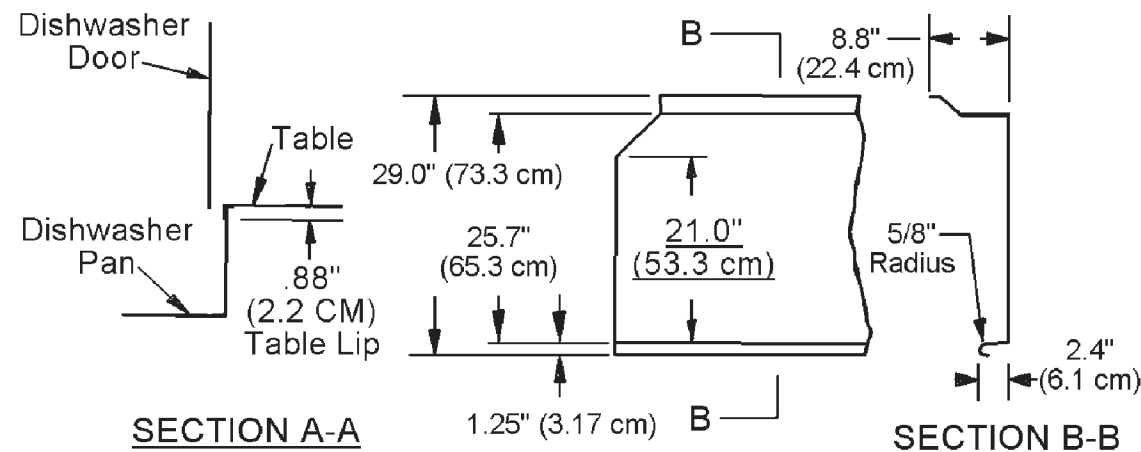
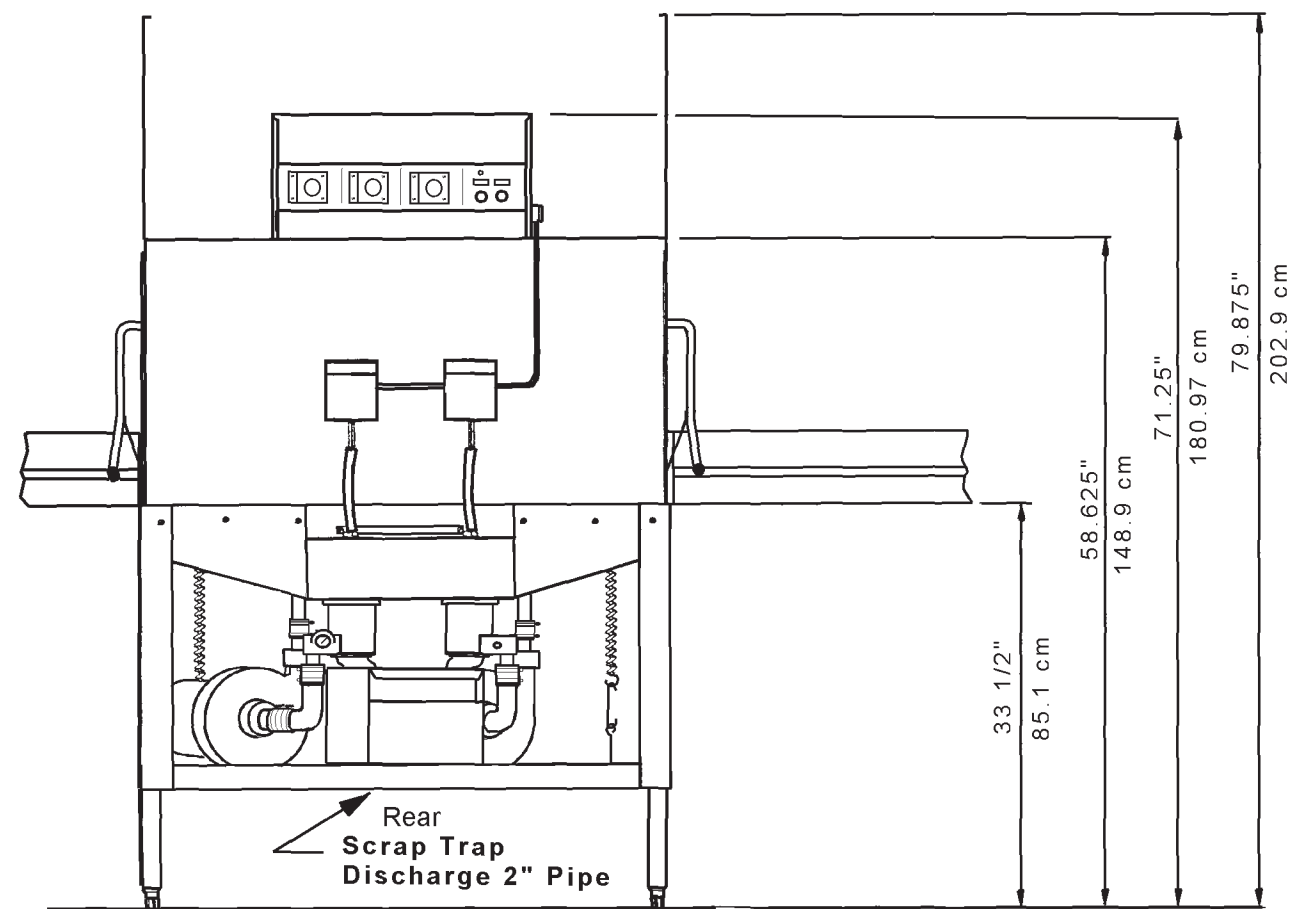


**TOP VIEW**



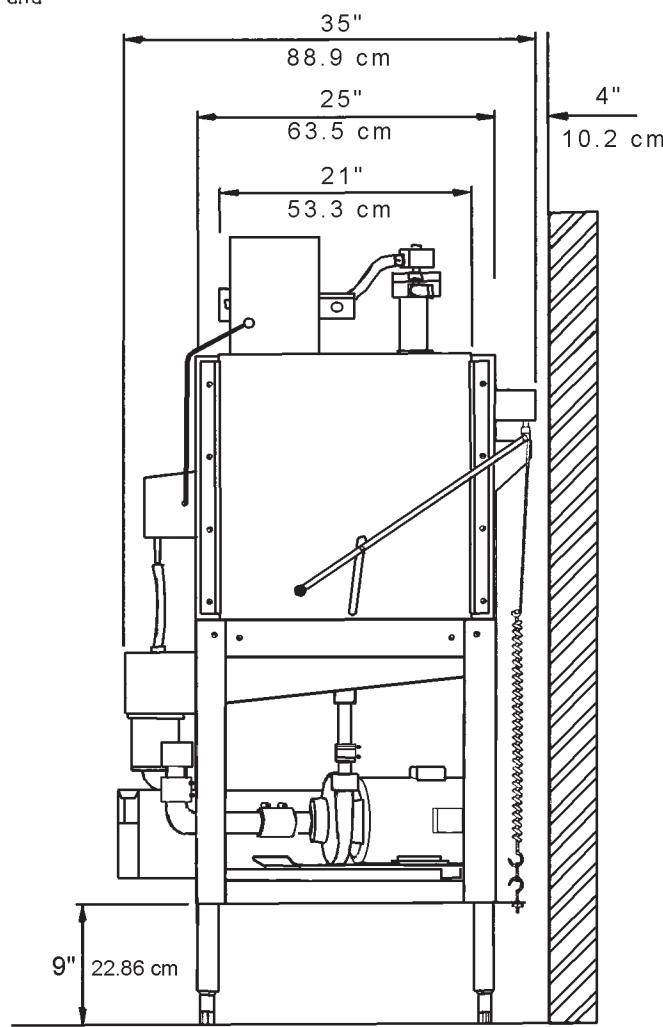
**TOP VIEW**  
TYPICAL TABLE DETAILS

**CAUTION:**  
Electrical and plumbing connections should be made by a qualified Service Person who will comply with all available federal, state, and local Health, Electrical, Plumbing, and Safety codes.



**FRONT VIEW**

**NOTE:**  
\*Manufacturer reserves the right to modify these specifications in compliance with regulatory agencies and manufacturing expediency



**SIDE VIEW**



**American Dish Service**  
Manufacturers of Ware Washing Equipment

**Model 5AGES**  
**Specifications**



<b>RATED CAPACITY (Racks Per Hour)</b>	74	56	46
<b>WASH TIME (Sec.)</b>	50	60	75
<b>RINSE TIME (Sec.)</b>	7	45	60
<b>DWELL (Sec.)</b>		15	15
<b>TOTAL CYCLE TIME (Sec.)</b>	90	120	150

<b>WASH TANK CAPACITY (Min.)</b>	1.78 Gallons 6.74 Liters
<b>WATER TEMPERATURE</b>	120 Deg. F Min. 49 Deg. C Min.
<b>WATER CONSUMPTION</b>	1.78 Gallons Per Cycle 6.74 Liters Per Cycle
<b>MOTOR (2)</b>	1.0 HP .75 KW
<b>ELECTRICAL RATINGS</b>	115 Volts 18 Amp Single Phase

**CONNECT TO ELECTRICAL SUPPLY SOURCE**  
Using 10-8 AWG Copper Wire  
Circuit Protection: 30 AMP Circuit Breaker  
or Fuse with a 30 AMP Rating

<b>RACK SIZE (2)</b>	19 3/4" x 19 3/4" 50.2 x 50.2 cm
<b>DOOR CLEARANCE</b>	20 1/2" x 21" 52.07 x 53 cm
<b>WATER INLET</b>	3/4" FPT
<b>DRAIN (Scrap Trap)</b>	2" Pipe
<b>HEIGHT (Doors Open)</b>	79.875"
<b>HEIGHT (Doors Closed)</b>	71.25"
<b>WIDTH (Overall)</b>	49"
<b>DEPTH (Overall)</b>	124.5 cm 34"
<b>SHIPPING WEIGHT</b>	86.4 cm 408 lbs. 185 kg
<b>SHIPPING VOLUME (Uncrated)</b>	64.16 cu ft. 1.82 cu m